

DUCT-CONNECTION TYPE (風管型)

Item (unit)		Model	RP-P5WP	RP-P8WP	RP-P10WP	RP-P15WP	RP-P20WP	RP-P25WP	RP-P30WP	RP-P40WP	
Nominal Cooling Capacity*	50Hz	kcal/h	12,000	19,300	24,100	38,700	48,100	61,000	77,400	96,300	
		W	14,000	22,400	28,000	45,000	56,000	71,000	90,000	112,000	
	60Hz	Btu/h	47,700	76,400	95,500	153,600	191,100	242,200	307,100	382,100	
		kcal/h	13,800	21,500	27,100	43,000	54,200	68,800	86,000	107,500	
Capacity Control	%	W	16,000	25,000	31,500	50,000	63,000	80,000	100,000	125,000	
		Btu/h	54,600	85,300	107,500	170,600	214,900	272,900	341,200	426,500	
Cabinet Color		Synthetic Resin Paint Baked on Finished Steel Plates									
Front Panel, Side Panel (MUNSELL Code)		Beige (2.5Y 8/2)	Beige (2.5Y 8/2)	Beige (2.5Y 8/2)	Beige (2.5Y 8/2)	Beige (2.5Y 8/2)	Beige (2.5Y 8/2)	Beige (2.5Y 8/2)	Beige (2.5Y 8/2)	Beige (2.5Y 8/2)	
Air Outlet Grill (MUNSELL Code)		—	—	—	—	—	—	—	—	—	
Outer Dimensions	Height	mm	1,730	1,730	1,730	1,850+30	1,850+30	2,000+30	2,000+30	2,000+30	
	Width	(in.)	(68-1/8)	(68-1/8)	(68-1/8)	(72-13/16+1-3/16)	(72-13/16+1-3/16)	(78-3/4+1-3/16)	(78-3/4+1-3/16)	(78-3/4+1-3/16)	
		mm	800	1,100	1,400	1,400	1,700	1,700	2,000	2,000	
	Depth	(in.)	(31-1/2)	(43-5/16)	(55-1/8)	(55-1/8)	(66-15/16)	(66-15/16)	(78-3/4)	(78-3/4)	
mm		500	500	500	750	750	900+65	900+65	1,270+65		
Net Weight	kg (lbs.)		165 (364)	275 (606)	305 (672)	480 (1,058)	620 (1,367)	710 (1,565)	900 (1,984)	1200 (2,646)	
		Refrigerant**	R407C	R407C	R407C	R407C	R407C	R407C	R407C	R407C	
Flow Control		CPT	CPT	CPT	CPT	CPT	CPT	CPT	CPT		
Number of Circuits		1	1	1	2	2	2	3	3		
Compressor Type		Hermetic Scroll	Hermetic Scroll	Hermetic Scroll	Hermetic Scroll	Hermetic Scroll	Hermetic Scroll	Hermetic Scroll	Hermetic Scroll		
Quantity		1	1	1	1+1	2	2	3	3		
Evaporator		Multi-Pass Cross-Finned Tube									
Condenser		Coiled Double Tube								Shell-and-Tube Tube	
Evaporator Fan		Multi-Blade Centrifugal Fan									
Nominal Air Flow	m³/min		44	66	88	130	180	220	260	360	
		m³/s	0.73	1.1	1.47	2.17	3.00	3.67	4.33	6.0	
	L/s		733	1,100	1,467	2,167	3,000	3,667	4,333	6,000	
		(cfm)	(1,554)	(2,330)	(3,108)	(4,590)	(6,360)	(7,770)	(9,180)	(12,700)	
Motor	kW (HP)		0.55 (0.74)	0.75 (1)	1.5 (2)	2.2 (3)	3.7 (5)	3.7 (5)	5.5 (7.5)	7.5 (10)	
		Quantity	1	1	1	1	1	1	1	1	
Condenser Water Quantity (50/60Hz)		m³/h	3.1/3.5	4.9/5.5	At the Condenser Water Inlet Temperature 30°C			6.2/7.0	10.0/11.2	12.6/14.2	16.0/18.1
Connections		Female Piping Thread Screw ( Prepared on Both Sides )									
Condenser Water Size	Inlet	FPT	1-1/4	1-1/2	1-1/2	2	2	2-1/2	2-1/2	2-1/2	
		Outlet	FPT	1-1/4	1-1/2	1-1/2	2	2	2-1/2	2-1/2	
Condensate Drain Size	FPT	Female Piping Thread Screw ( Prepared on Both Sides )									
		1	1	1	1	1	1	1	1	1	
Emergency Drain Size	FPT	Female Piping Thread Screw ( Prepared on Both Sides )									
		1/2	1/2	1/2	1/2	1/2	1/2	1/2	1/2	1/2	
Wiring Hole Size	mm (in.)	Knock Out Hole ( Prepared on Both Sides )									
		40.5 (1-5/8)	40.5 (1-5/8)	40.5 (1-5/8)	62 (2-7/16)	62 (2-7/16)	62 (2-7/16)	62 (2-7/16)	62 (2-7/16)	80 (3-1/8)	
Approximate Packing List											
Shipping Weight	kg (lbs.)		210 (463)	315 (694)	360 (794)	525 (1,157)	705 (1,554)	820 (1,808)	1,020 (2,249)	1,290 (2,844)	
		Height	mm	1,905	1,905	1,905	2,070	2,070	2,225	2,225	2,225
Width	mm (in.)		(75)	(75)	(75)	(81-1/2)	(81-1/2)	(87-5/8)	(87-5/8)	(87-5/8)	
		mm	914	1,214	1,514	1,510	1,810	1,860	2,160	2,160	
Depth	mm (in.)		(36)	(47-13/16)	(59-5/8)	(59-7/16)	(71-1/4)	(73-1/4)	(85-1/16)	(85-1/16)	
		mm	628	628	628	880	880	1,105	1,105	1,475	
Measurements		m³	1.09	1.45	1.81	2.75	3.30	4.57	5.31	7.09	

CPT: 毛細管  
 註記:  
 1. \* 額定冷氣能力是依據 JIS B8616-1999 規格冷氣條件:  
 蒸發器吸入空氣溫度: 27°C DB (80.6°F DB)  
 19°C WB (66.2°F WB)  
 冷凝器冷卻水入口溫度: 30°C (86°F)  
 冷凝器冷卻水出口溫度: 35°C (95°F)  
 2. \*\* 工廠充填  
 運轉範圍:  
 蒸發器吸入空氣溫度 (標準風量時):  
 最高: 32°C DB / 23°C WB (89.6°F DB / 73.4°F WB)  
 最低: 21°C DB / 15°C WB (69.8°F DB / 59.0°F WB)  
 冷凝器冷卻水出口溫度:  
 最高: 38°C (100.4°F)  
 最低: 21°C (69.8°F)

標準電源  
 主回路 (3ø) 操作回路 (1ø)  
 220V 60Hz 220V 60Hz  
 220V 50Hz 220V 50Hz  
 380V 50Hz 220V 50Hz  
 415V 50Hz 240V 50Hz

Specifications in this catalog are subject to change without notice, in order that HITACHI may bring the latest innovations to our customers.  
 本說明的內容隨時更改, 恕不另行通知: 此舉有助日立公司隨時把最新的科技創意帶來給客戶採用。



HITACHI PACKAGED AIR CONDITIONERS  
WATER-COOLED TYPE

日立水冷式箱型空調機



Models:	Free-Blow Type	Duct-Connection Type	Nominal Capacity Range
	直吹型	風管型	額定容量範圍
RP-P5W	RP-P5WP		12,000 kcal/h to 96,300 kcal/h at 50Hz
RP-P8W	RP-P8WP		14,000 W to 112,000 W at 50Hz
RP-P10W	RP-P10WP		47,700 Btu/h to 382,100 Btu/h at 50Hz
RP-P15W	RP-P15WP		
	RP-P20WP		13,800 kcal/h to 107,500 kcal/h at 60Hz
	RP-P25WP		16,000 W to 125,000 W at 60Hz
	RP-P30WP		54,600 Btu/h to 426,500 Btu/h at 60Hz
	RP-P40WP		



# STREAM LINED SHAPE AND TOP OF THE LINE PERFORMANCE PERFECTED WITH A HIGH-EFFICIENCY COMPONENTS

HITACHI has developed packaged air conditioners <water-cooled type> with a sleek new look. In addition to excellent performance providing high efficiency, high reliability and low noise, the design has been upgraded. Moreover, a slim design has further relaxed restrictions on installation. The air conditioners of this type are available for use in factories, shopping center, offices, restaurants, karaoke bars, super markets and similar places. An extensive lineup features 5 to 40 horsepower models. All horsepower models adopt a high efficiency scroll compressor. Users can choose the optimum model according to applications or purposes.

日立水冷式箱型空調機，除了具有流線型美觀的設計外，它優越的品質更是備受肯定，為了提升產品性能，在設計上更要求高效率、低噪音及高信賴度。除此之外，更精巧地減少安裝空間的限制，無論是工廠、購物中心、辦公室、餐廳、卡拉OK俱樂部或超級市場等類似場所均適用。日立水冷式箱型的機型包括5~40匹馬力，全系列的機型都採用了渦卷式壓縮機，顧客可依自己的需求選擇最適合的機型，搭配使用。

## FEATURES 特點

◆ Adopting R407C refrigerant.  
採用環保新冷媒R407C

◆ Slim design, space saving, energy saving.  
流線型設計、省空間、省能源

◆ Low noise, low vibration.  
低噪音、低振動

◆ Easy Operation.  
操作簡單

Electrical control, easy operation and failure check.  
運轉控制電子化，操作與檢點容易。

◆ Completely control and protection function.  
完整控制及保護功能

- (1) Compressor protection design  
(To avoid compressor damaged by sudden power ON/OFF).  
壓縮機運轉保護功能。
- (2) Remote wiring control of temperature adjustment (For special order).  
可利用信號接點連接室內溫度調節開關（特別受注）。
- (3) Quick restart (Within 2 seconds).  
瞬間停電後自動復電（2秒以內）。
- (4) Anti frost function (Cooler Assembly side).  
防止蒸發器結霜控制功能。

## OPTIONAL PARTS 選購配件

◆ Electric heater, Hot water heater, Steam heater  
電氣加熱器、溫水加熱器、蒸氣加熱器

◆ Humidifier  
加濕器

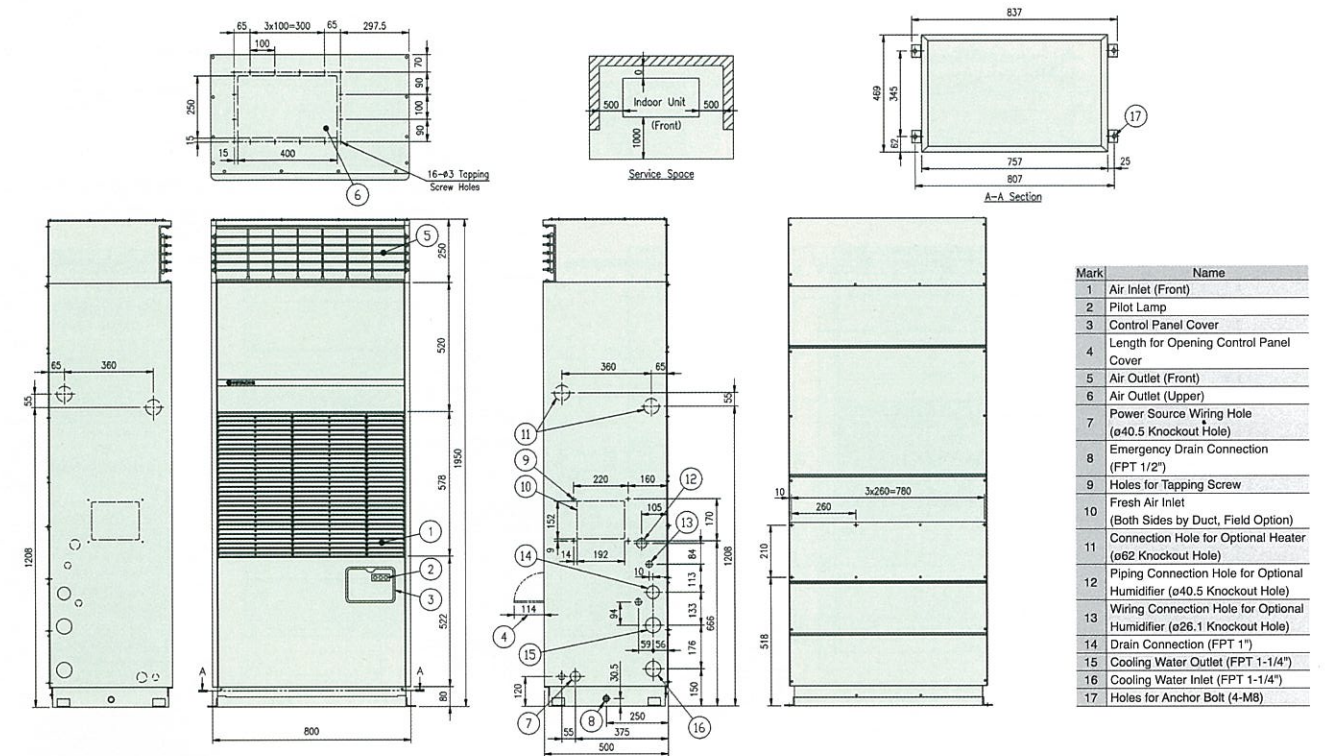
◆ Long life air filter  
長壽命空氣濾網



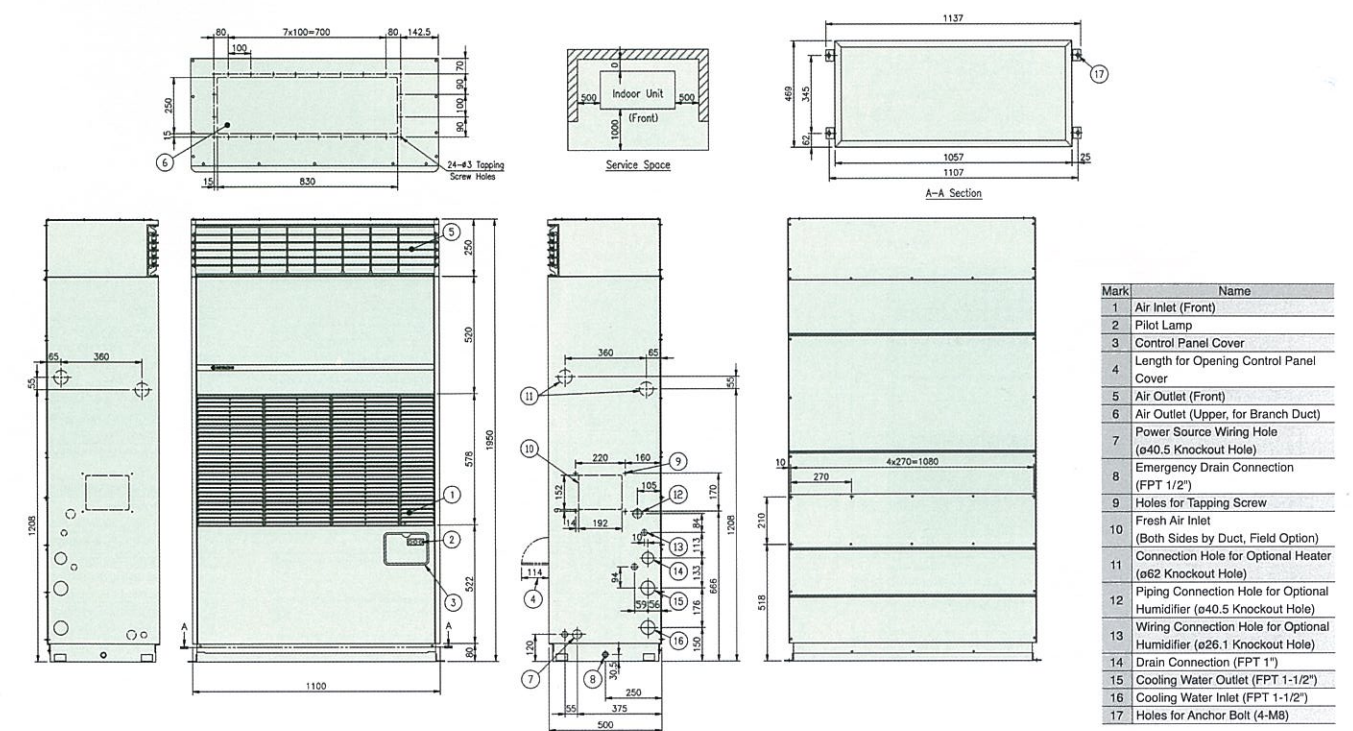
## DIMENSION 外觀尺寸

### FREE-BLOW TYPE (直吹型)

#### RP-P5W



#### RP-P8W





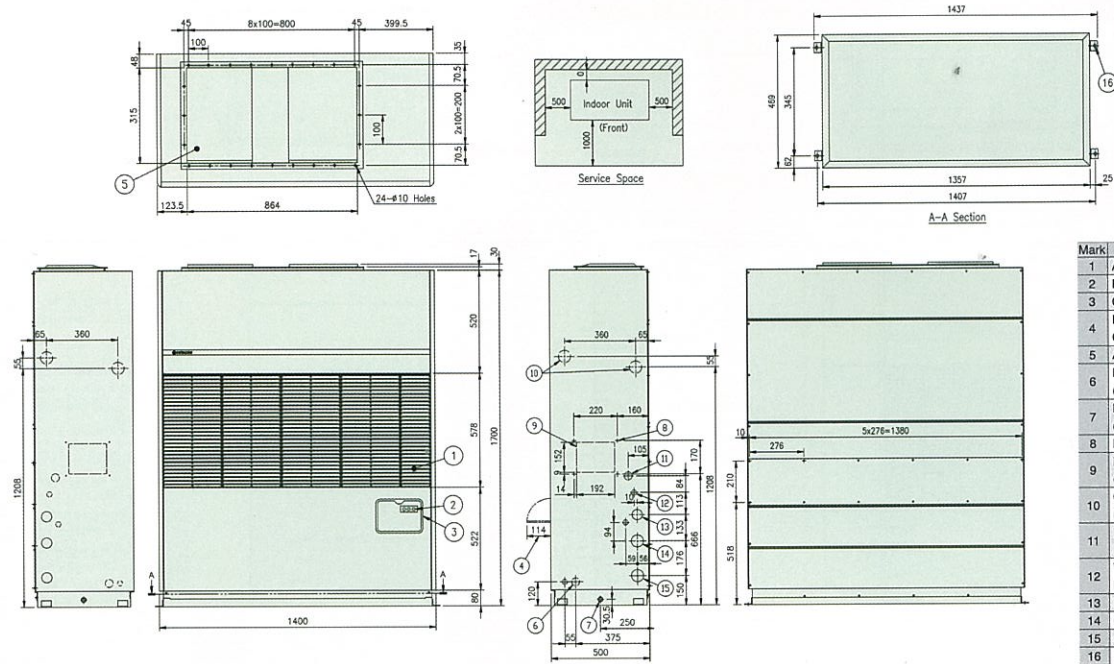




# DIMENSION 外觀尺寸

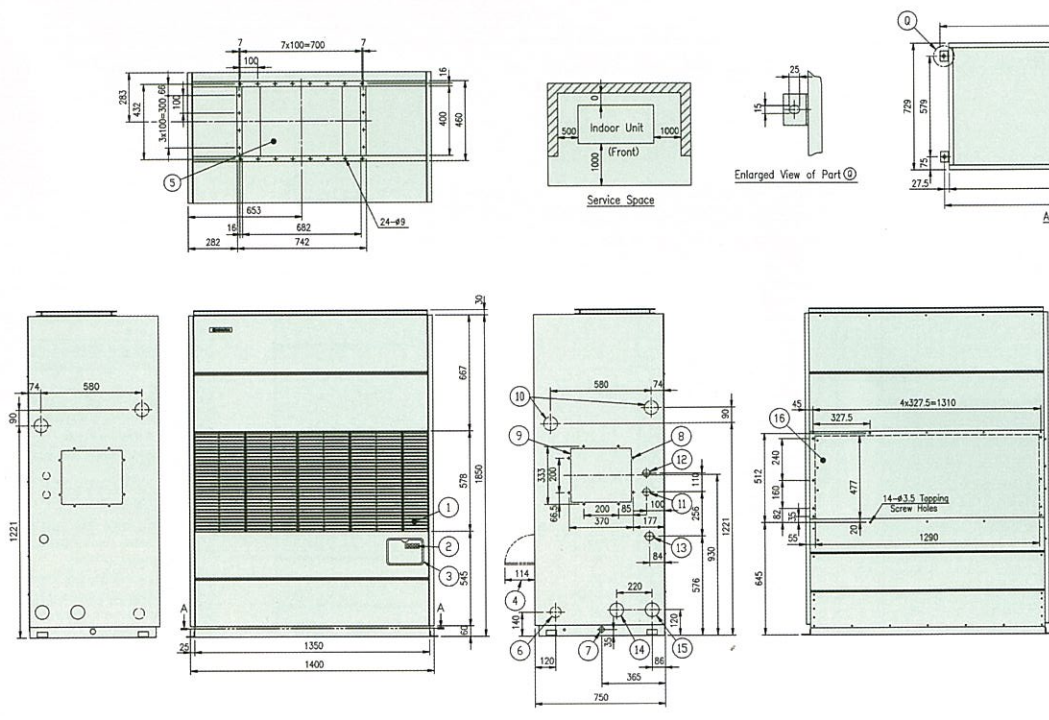
## DUCT-CONNECTION TYPE (風管型)

### RP-P10WP



Mark	Name
1	Air Inlet (Front)
2	Pilot Lamp
3	Control Panel Cover
4	Length for Opening Control Panel Cover
5	Air Outlet
6	Power Source Wiring Hole (ø40.5 Knockout Hole)
7	Emergency Drain Connection (FPT 1/2")
8	Holes for Tapping Screw
9	Fresh Air Inlet (Both Sides by Duct, Field Option)
10	Connection Hole for Optional Heater (ø62 Knockout Hole)
11	Piping Connection Hole for Optional Humidifier (ø40.5 Knockout Hole)
12	Wiring Connection Hole for Optional Humidifier (ø26.1 Knockout Hole)
13	Drain Connection (FPT 1")
14	Cooling Water Outlet (FPT 1-1/2")
15	Cooling Water Inlet (FPT 1-1/2")
16	Holes for Anchor Bolt (4-M8)

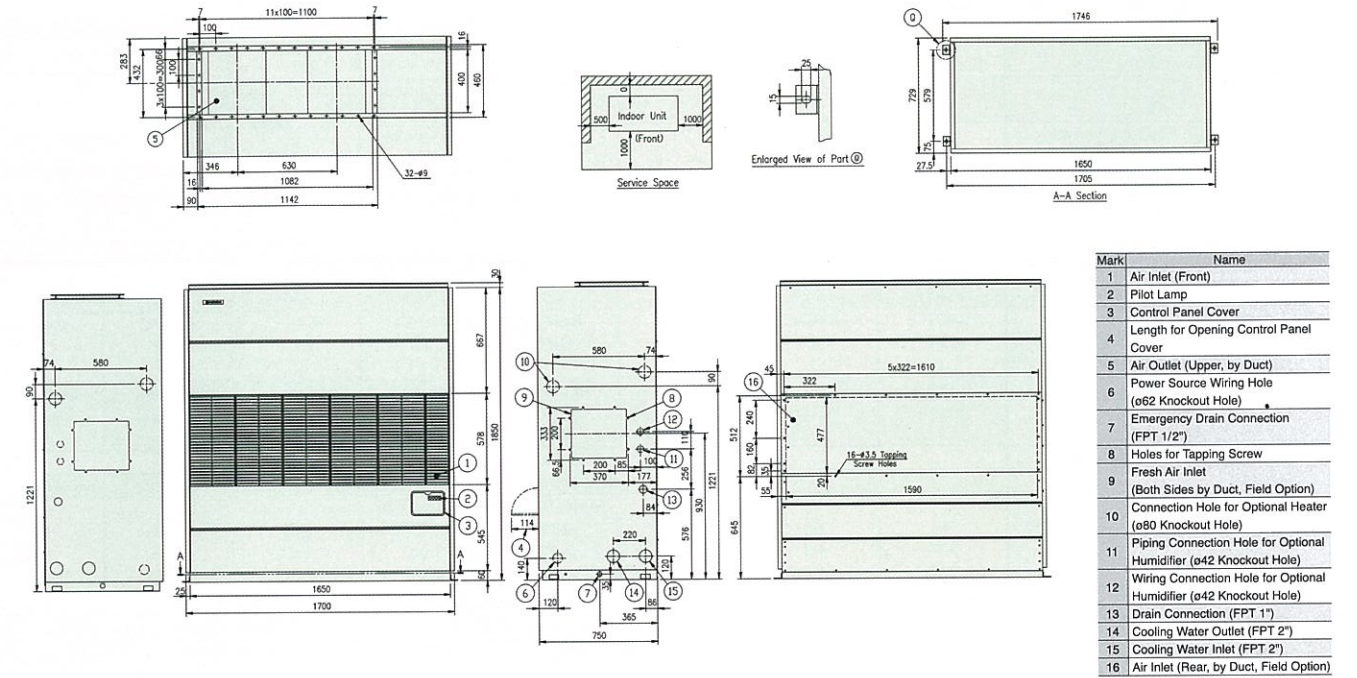
### RP-P15WP



Mark	Name
1	Air Inlet (Front)
2	Pilot Lamp
3	Control Panel Cover
4	Length for Opening Control Panel Cover
5	Air Outlet (Upper, by Duct)
6	Power Source Wiring Hole (ø62 Knockout Hole)
7	Emergency Drain Connection (FPT 1/2")
8	Holes for Tapping Screw
9	Fresh Air Inlet (Both Sides by Duct, Field Option)
10	Connection Hole for Optional Heater (ø80 Knockout Hole)
11	Piping Connection Hole for Optional Humidifier (ø42 Knockout Hole)
12	Wiring Connection Hole for Optional Humidifier (ø42 Knockout Hole)
13	Drain Connection (FPT 1")
14	Cooling Water Outlet (FPT 2")
15	Cooling Water Inlet (FPT 2")
16	Air Inlet (Rear, by Duct, Field Option)

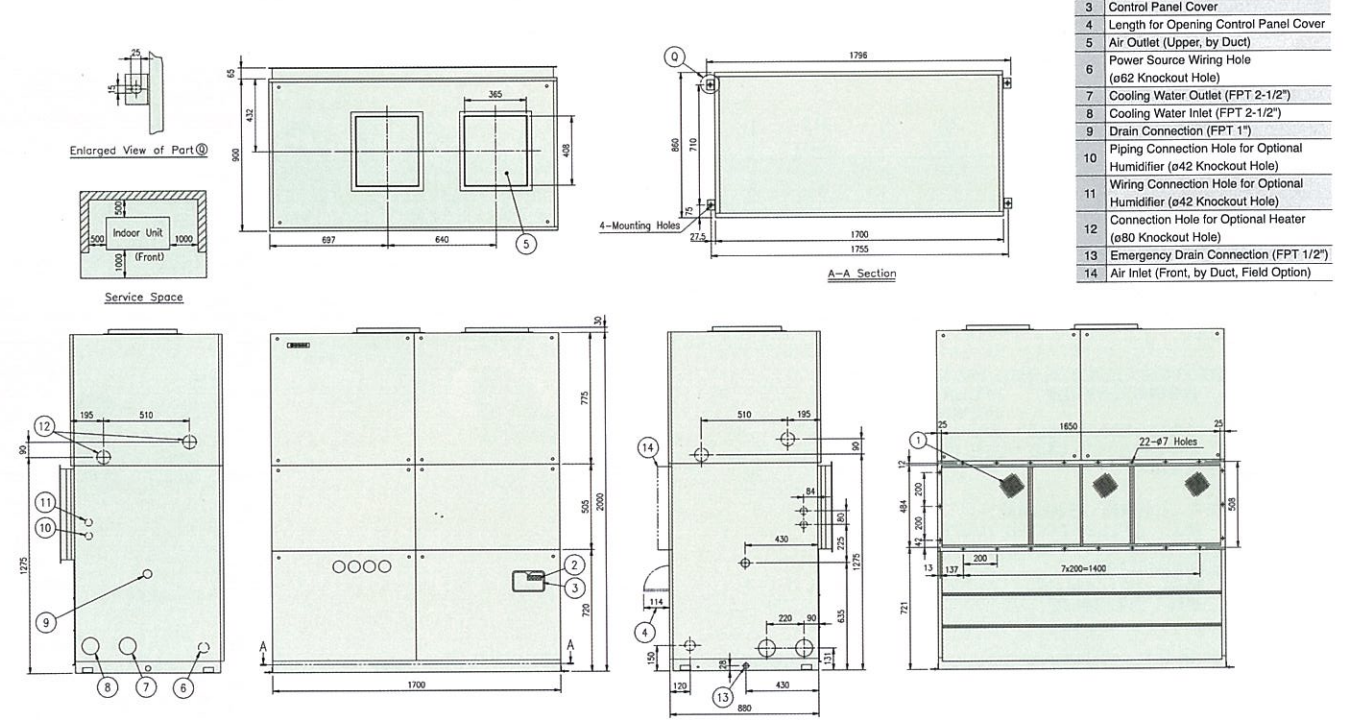
## DUCT-CONNECTION TYPE (風管型)

### RP-P20WP



Mark	Name
1	Air Inlet (Front)
2	Pilot Lamp
3	Control Panel Cover
4	Length for Opening Control Panel Cover
5	Air Outlet (Upper, by Duct)
6	Power Source Wiring Hole (ø62 Knockout Hole)
7	Emergency Drain Connection (FPT 1/2")
8	Holes for Tapping Screw
9	Fresh Air Inlet (Both Sides by Duct, Field Option)
10	Connection Hole for Optional Heater (ø80 Knockout Hole)
11	Piping Connection Hole for Optional Humidifier (ø42 Knockout Hole)
12	Wiring Connection Hole for Optional Humidifier (ø42 Knockout Hole)
13	Drain Connection (FPT 1")
14	Cooling Water Outlet (FPT 2")
15	Cooling Water Inlet (FPT 2")
16	Air Inlet (Rear, by Duct, Field Option)

### RP-P25WP



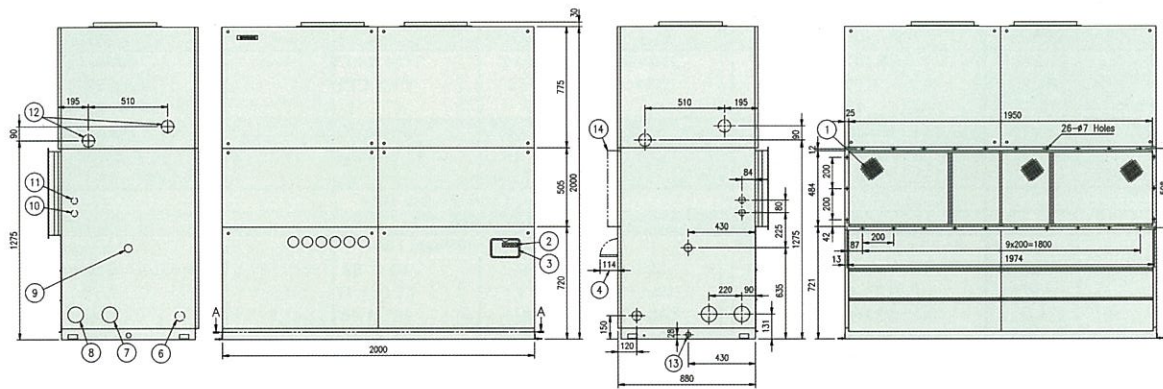
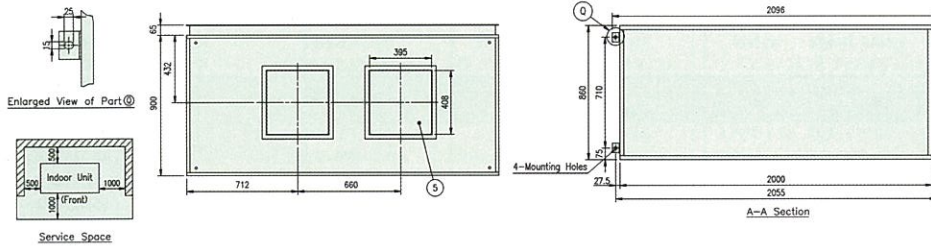
Mark	Name
1	Air Inlet (Rear, by Duct)
2	Pilot Lamp
3	Control Panel Cover
4	Length for Opening Control Panel Cover
5	Air Outlet (Upper, by Duct)
6	Power Source Wiring Hole (ø62 Knockout Hole)
7	Cooling Water Outlet (FPT 2-1/2")
8	Cooling Water Inlet (FPT 2-1/2")
9	Drain Connection (FPT 1")
10	Piping Connection Hole for Optional Humidifier (ø42 Knockout Hole)
11	Wiring Connection Hole for Optional Humidifier (ø42 Knockout Hole)
12	Connection Hole for Optional Heater (ø80 Knockout Hole)
13	Emergency Drain Connection (FPT 1/2")
14	Air Inlet (Front, by Duct, Field Option)



# DUCT-CONNECTION TYPE (風管型)

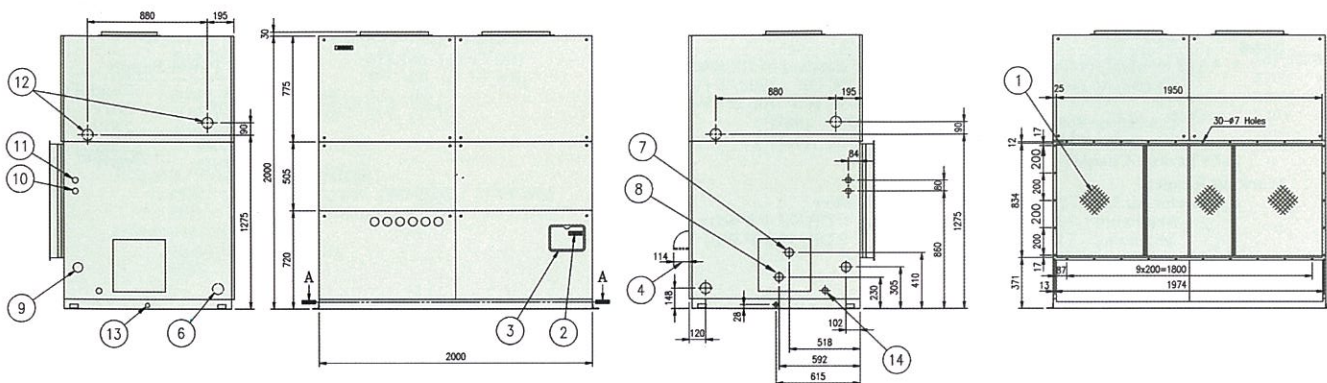
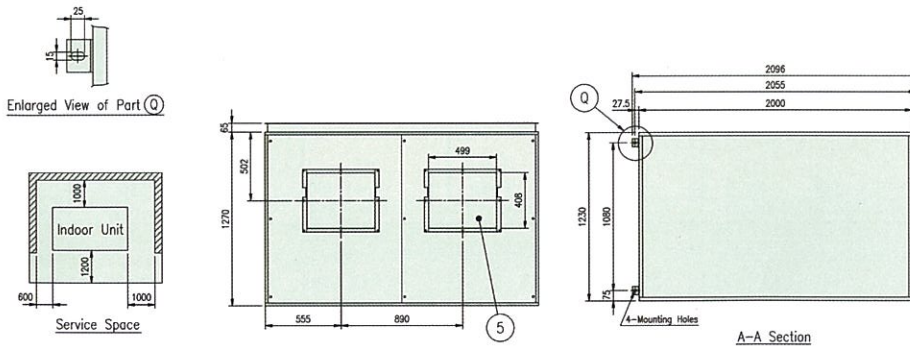
## RP-P30WP

Mark	Name
1	Air Inlet (Rear, by Duct)
2	Pilot Lamp
3	Control Panel Cover
4	Length for Opening Control Panel Cover
5	Air Outlet (Upper, by Duct)
6	Power Source Wiring Hole (ø62 Knockout Hole)
7	Cooling Water Outlet (FPT 2-1/2")
8	Cooling Water Inlet (FPT 2-1/2")
9	Drain Connection (FPT 1")
10	Piping Connection Hole for Optional Humidifier (ø42 Knockout Hole)
11	Wiring Connection Hole for Optional Humidifier (ø42 Knockout Hole)
12	Connection Hole for Optional Heater (ø80 Knockout Hole)
13	Emergency Drain Connection (FPT 1/2")
14	Air Inlet (Front, by Duct, Field Option)



## RP-P40WP

Mark	Name
1	Air Inlet
2	Pilot Lamp
3	Control Panel Cover
4	Length for Opening Control Panel Cover
5	Air Outlet (Upper, by Duct)
6	Power Source Wiring Hole (ø80 Knockout Hole)
7	Cooling Water Outlet (FPT 2-1/2")
8	Cooling Water Inlet (FPT 2-1/2")
9	Drain Connection (FPT 1")
10	Piping Connection Hole for Optional Humidifier (ø42 Knockout Hole)
11	Wiring Connection Hole for Optional Humidifier (ø42 Knockout Hole)
12	Connection Hole for Optional Heater (ø80 Knockout Hole)
13	Emergency Drain Connection (FPT 1/2")
14	Connection Hole for Refrigerant Exhaust from Fusible Plug (ø42 Knockout Hole)





## FREE-BLOW TYPE (直吹型)

Item (unit)		Model	RP-P5W	RP-P8W	RP-P10W	RP-P15W		
Nominal Cooling Capacity*	50Hz	kcal/h	12,000	19,300	24,100	38,700		
		W	14,000	22,400	28,000	45,000		
	60Hz	Btu/h	47,700	76,400	95,500	153,600		
		kcal/h	13,800	21,500	27,100	43,000		
		W	16,000	25,000	31,500	50,000		
		Btu/h	54,600	85,300	107,500	170,600		
Capacity Control		%	100.0	100.0	100.0	100.63.0		
Cabinet Color			Synthetic Resin Paint Baked on Finished Steel Plates					
Front Panel, Side Panel (MUNSELL Code)			Beige (2.5Y 8/2)	Beige (2.5Y 8/2)	Beige (2.5Y 8/2)	Beige (2.5Y 8/2)		
Air Outlet Grill (MUNSELL Code)			Gray (2.5Y 4.5/0.7)	Gray (2.5Y 4.5/0.7)	Gray (2.5Y 4.5/0.7)	Beige (2.5Y 8/2)		
Outer Dimensions	Height	mm	1,950	1,950	1,950	2,150		
		(in.)	(76-3/4)	(76-3/4)	(76-3/4)	(84-11/16)		
	Width	mm	800	1,100	1,400	1,400		
		(in.)	(31-1/2)	(43-5/16)	(55-1/8)	(55-1/8)		
Depth	mm	500	500	500	750			
	(in.)	(19-11/16)	(19-11/16)	(19-11/16)	(29-1/2)			
Net Weight		kg	170	285	320	495		
		(lbs.)	(375)	(628)	(705)	(1,091)		
Refrigerant**			R407C	R407C	R407C	R407C		
Flow Control			CPT	CPT	CPT	CPT		
Number of Circuits			1	1	1	2		
Compressor Type			Hermetic Scroll	Hermetic Scroll	Hermetic Scroll	Hermetic Scroll		
Quantity			1	1	1	1+1		
Evaporator			Multi-Pass Cross-Finned Tube					
Condenser			Coiled Double Tube					
Evaporator Fan			Multi-Blade Centrifugal Fan					
Nominal Air Flow (Hi/Lo)	m³/min		44/38	66	88	130		
		m³/s	0.73/0.63	1.1	1.47	2.17		
		L/s	733/633	1,100	1,467	2,167		
		(cfm)	(1,554/1,342)	(2,330)	(3,108)	(4,590)		
Motor	kW	0.13	0.25	0.30	1.5			
	(HP)	(0.17)	(0.33)	(0.40)	(2)			
Quantity			1	1	1	1		
Condenser Water Quantity (50/60Hz)			At the Condenser Water Inlet Temperature 30°C					
	m³/h		3.1/3.5	4.9/5.5	6.2/7.0	10.0/11.2		
Connections			Female Piping Thread Screw ( Prepared on Both Sides )					
Condenser Water Size	Inlet	FPT	1-1/4	1-1/2	1-1/2	2		
	Outlet	FPT	1-1/4	1-1/2	1-1/2	2		
Condensate Drain Size			Female Piping Thread Screw ( Prepared on Both Sides )					
	FPT		1	1	1	1		
Emergency Drain Size			Female Piping Thread Screw ( Prepared on Both Sides )					
	FPT		1/2	1/2	1/2	1/2		
Wiring Hole Size			Knock Out Hole ( Prepared on Both Sides )					
	mm		40.5	40.5	40.5	62		
	(in.)		(1-5/8)	(1-5/8)	(1-5/8)	(2-7/16)		
Approximate Packing List							Unit	Plenum Chamber
Shipping Weight	kg		215	355	380	520	40	
	(lbs.)		(474)	(739)	(838)	(1,146)	(88)	
Height	mm		2,125	2,125	2,125	2,070	460	
	(in.)		(83-5/8)	(83-5/8)	(83-5/8)	(81-1/2)	(18-1/8)	
Width	mm		914	1,214	1,514	1,510	1,480	
	(in.)		(36)	(47-13/16)	(59-5/8)	(59-7/16)	(58-9/32)	
Depth	mm		628	628	628	880	850	
	(in.)		(24-3/4)	(24-3/4)	(24-3/4)	(34-5/8)	(33-13/32)	
Measurements		m³	1.22	1.62	2.02	2.75	0.58	

CPT : Capillary Tube

**Notes:**

1. \* The nominal cooling capacity is based on the standard of JIS B8616-1999  
 Evaporator Air Inlet Temperature: 27°C DB (80.6°F DB)  
 19°C WB (66.2°F WB)  
 Condenser Water Inlet Temperature: 30°C (86°F)  
 Condenser Water Outlet Temperature: 35°C (95°F)
2. \*\* Factory-Charged

**Working Range:**

- Evaporator Air Inlet Temperature at Standard Air Flow :
- Maximum : 32°C DB/23°C WB (89.6°F DB/73.4°F WB)
  - Minimum : 21°C DB/15°C WB (69.8°F DB/59.0°F WB)
- Condenser Water Outlet Temperature:
- Maximum : 38°C (100.4°F)
  - Minimum : 21°C (69.8°F)

**Standard Power Supply**

Main (3φ)		Control (1φ)	
220V	60Hz	220V	60Hz
220V	50Hz	220V	50Hz
380V	50Hz	220V	50Hz
415V	50Hz	240V	50Hz